

VELVET N ULTRA

OutFit



Product categories



Meat

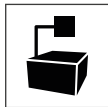


Chicken

Technical features



Ventilated



Remote condensing unit



LED lighting



High efficiency fans



Off-cycle defrost

Certification and patents



Eurovent*



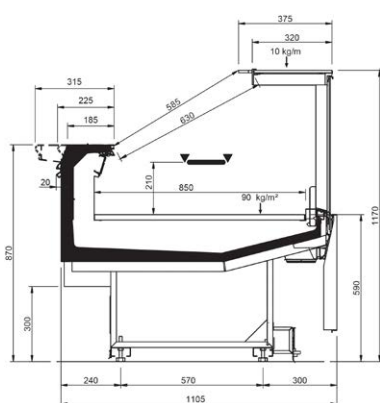
TechnoKleen

* Epta S.p.A. participates in the ECC programme for: Refrigerated display cabinets (RDC); Check ongoing validity of certificate online: www.eurovent-certification.com or using: www.certiflash.com

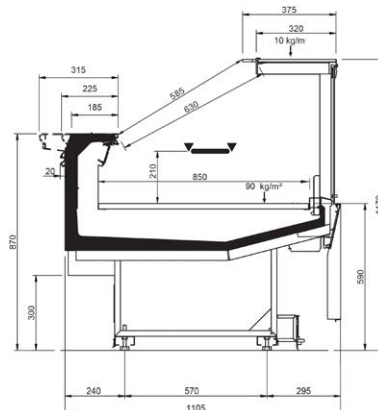
Product range

VELVET N ULTRA								
Length-Lunghezza Longueur-Länge-Longitud mm	1250	1875	2500	3125	3750	MAA 90°	MAA 45°	MAC 45°
RDB	•	•	•	•	•			
RDA	•	•	•		•	•	•	
WO	•	•	•		•		•	•
RDBP	•	•	•		•	•	•	•
RCA	•	•	•	•	•	•	•	•
Display area Superficie di esposizione Warenpräsentationsfläche Surface d'exposition Superficie expositiva m ² /ml	0.85							
Loading area Superficie di appoggio Nutzfläche Surface de chargement Superficie de apoyo m ² /ml	1.08							
End thickness Spessore spalla Stärke der Seitenwand Épaisseur de cheue joue Espesor lateral mm	55.00 Style-Studio / 35.00 Design							

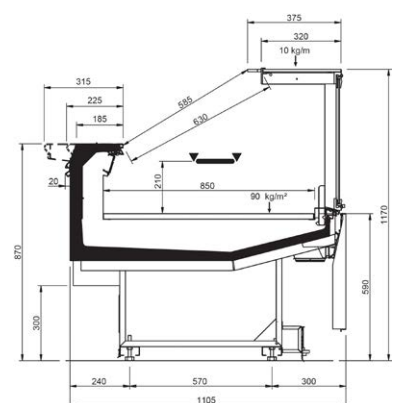
Cross sections



DESIGN - RDB

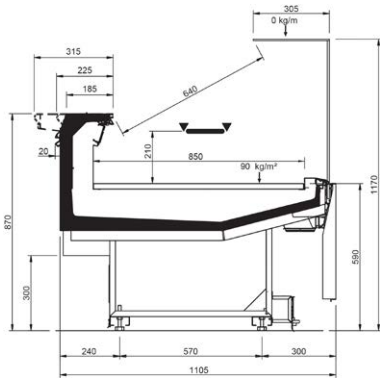


DESIGN - RDA

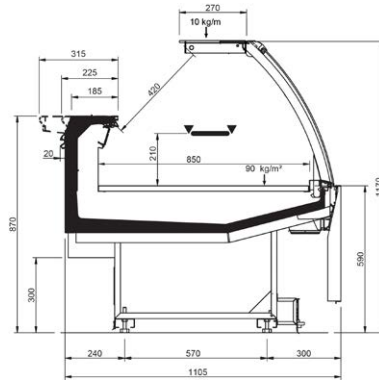


DESIGN - WO

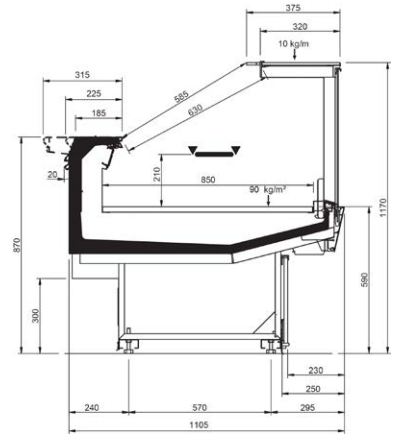
Cross Sections



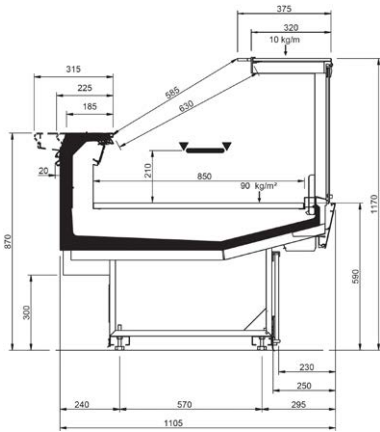
DESIGN - RDBP



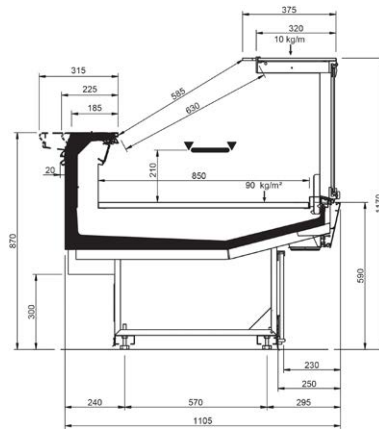
DESIGN - RCA



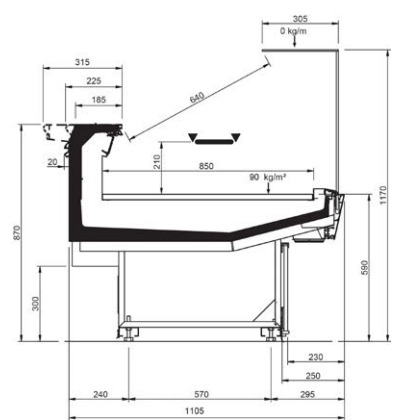
STUDIO - RDB



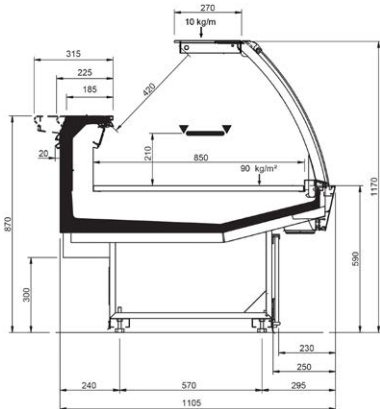
STUDIO - RDA



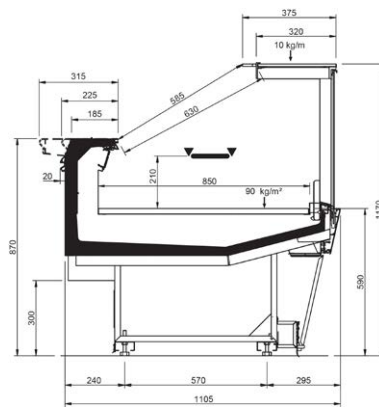
STUDIO - WO



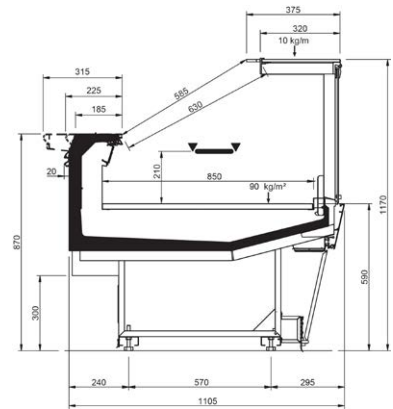
STUDIO - RDBP



STUDIO - RCA



STYLE - RDB

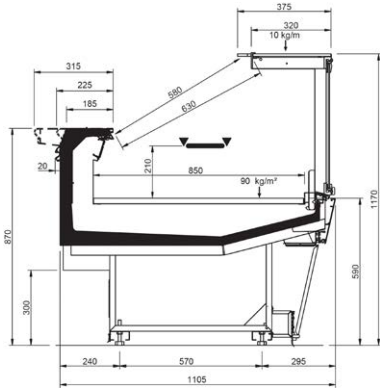


STYLE - RDA

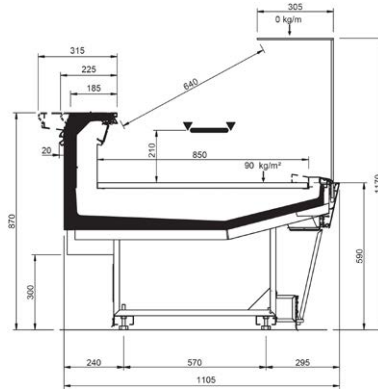
VELVET N ULTRA

OutFit

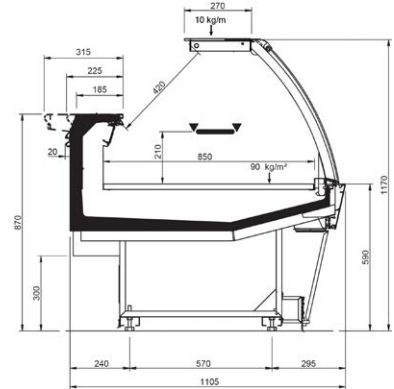
Cross Sections



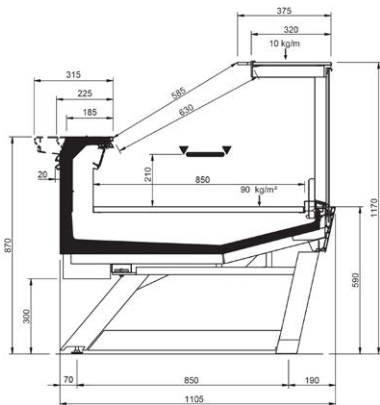
STYLE - WO



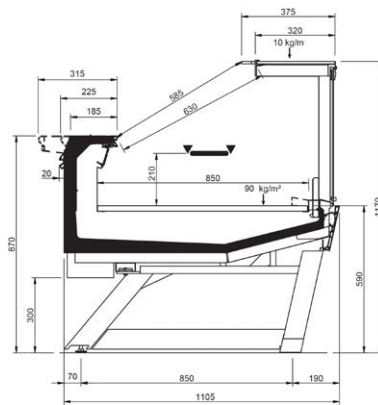
STYLE - RDBP



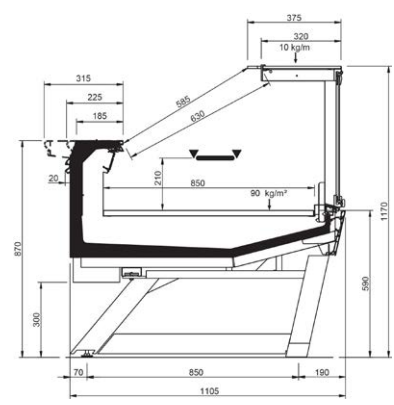
STYLE - RCA



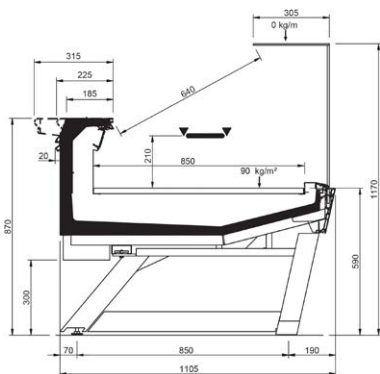
STYLE LEGS - RDB



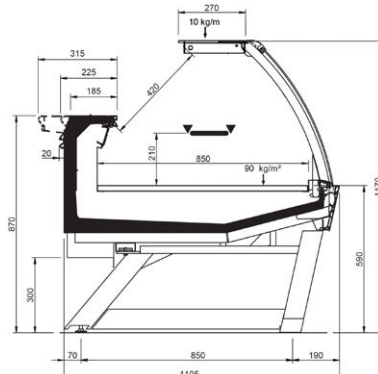
STYLE LEGS - RDA



STYLE LEGS - WO



STYLE LEGS - RDBP



STYLE LEGS - RCA