

TORTUGA ULTRA 1800 - 2000



Product categories

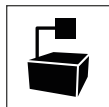


Frozen Food
and Ice cream

Technical features



Ventilated



Remote
condensing unit



LED lighting



High efficiency
fans



Electric defrost



ENERGY CLASS*

*The information on the energy class (according to EU regulations 2019/2018 and EU 2019/2024) reported here refers to standard models and precise product configurations and set-ups. The site is based on the information available at the time of publication. As the energy class depends on the specific product configuration, despite the efforts made to ensure the greatest possible accuracy, the real data can differ significantly from the data declared here. For further information, we invite you to consult the European Product Database for Energy Labelling (EPREL) or to contact our Sales Office.

Certification and patents



Eurovent*

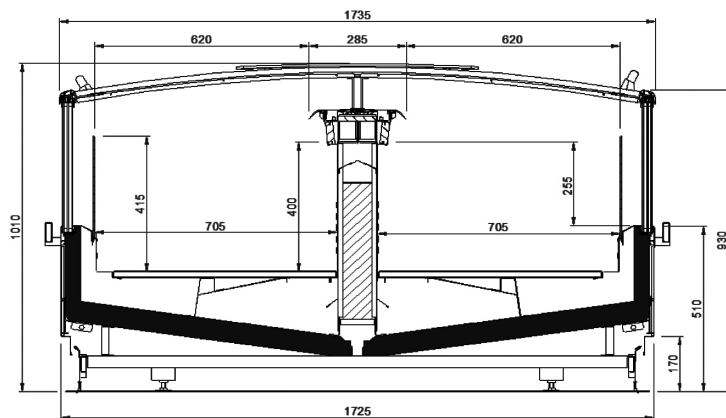
* Epta S.p.A. participates in the ECC programme for: Refrigerated display cabinets (RDC); Check ongoing validity of certificate online: www.eurovent-certification.com or using: www.certiflash.com

Product range

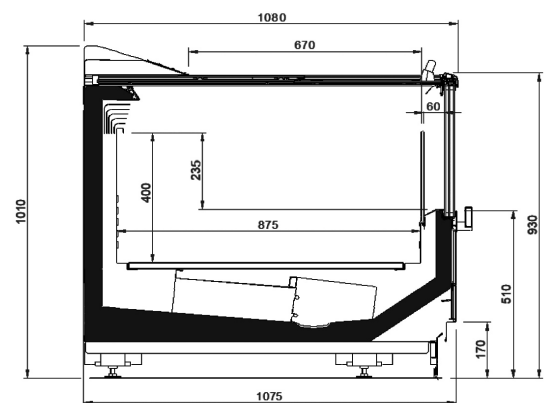
| TORTUGA ULTRA | | | | | | | | |
|--|--|---------|---------|---------|---------|---------|---------|---------|
| Lenght-Lunghezza Longueur-Länge-Longitud mm | 1800 | | | | 2000 | | | |
| | 1880 | 2500 | 3750 | EOL1730 | 1880 | 2500 | 3750 | EOL2020 |
| TORTUGA ULTRA | • | • | • | • | • | • | • | • |
| Display area Superficie di esposizione Warenpräsentationsfläche Surface d'exposition Superficieexpositiva m2 | 3.13 | 4.21 | 6.633 | 1.72 | 3.64 | 4.91 | 7.38 | 2,24 |
| Loading area Superficie di appoggio Nutzfläche Surface de chargement Superficie de apoyo m2 | 3.20 | 4.30 | 6.40 | 2.00 | 3.79 | 5.04 | 7.56 | 2.16 |
| Net storage capacity Capacità netta Nutzinhalt volume utile Capacitat neta dm3 | 1060.00 | 1410.00 | 2120.00 | 560.00 | 1280.00 | 1700.00 | 2550.00 | 660.00 |
| End thickness Spessore spalla Stärke der Seitenwand Épaisseur de cheue joue Espesor lateral mm | Spalla panoramica/Panoramic end/Joue panoramique/ Verglaste Seitenwand/ Lateral panorámico: 70.00 (+104) | | | | | | | |

Cross sections

TORTUGA ULTRA 1800



LINEAR

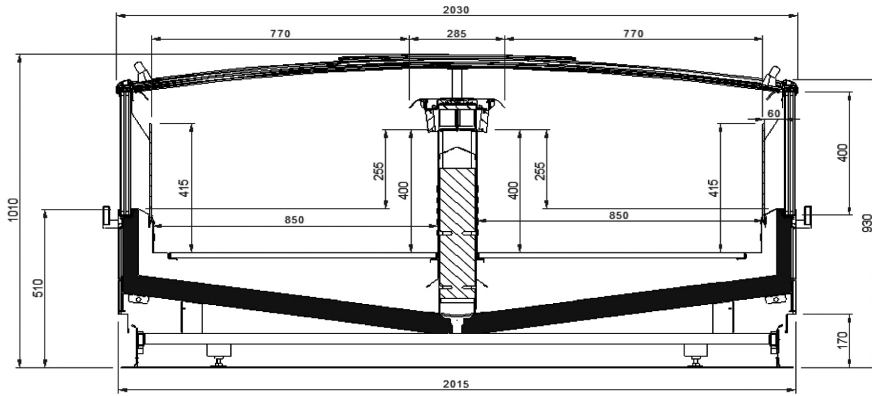


EOL

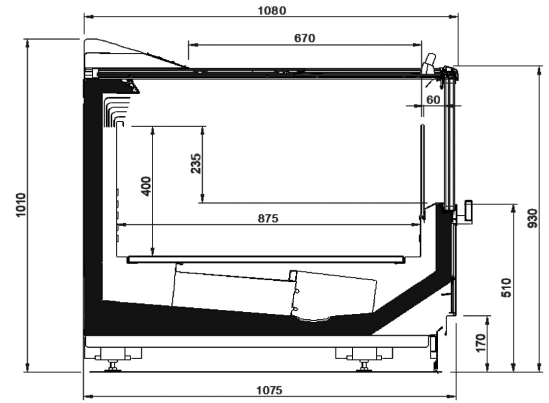
TORTUGA ULTRA 1800 - 2000

Cross sections

TORTUGA ULTRA 2000



LINEAR



EOL