









Product categories

-  Meat
-  Chicken
-  Delicatessen
-  Cheese
-  Dairy products
-  Gastronomy
-  Pastries
-  Pre-packed fruit&veg
-  Fruit and Vegetables
-  Sandwiches

Technical features

-  Ventilated
-  Incorporated condensing unit
-  LED lighting
-  High efficiency fans
-  Electric defrost
-  Propane refrigerant gas (R290)

Certification and patents

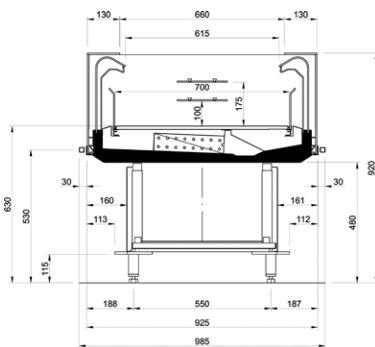


Epta Adamant

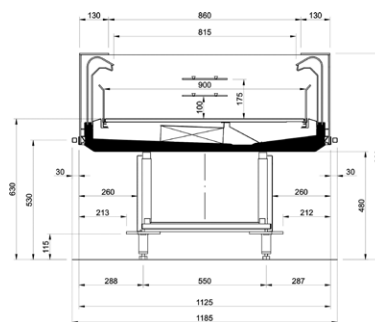
Product range

STAGE												
STAGE	LS		LS CLOSED		LS MAXI		SV			DOUBLE	SERVE OVER	
	Narrow		Narrow	Large	Narrow	Large	Narrow 1S	Narrow 2S	Large 2S		Narrow	
	900	1250	1250	1250	1250	1250	1250	1250	1250	1250	1250	
	•	•	•	•	•	•	•	•	•	•	•	
Display area Superficie di esposizione Warenpräsentationsfläche Surface d'exposition Superficie espositiva m2	0.93	1.22	1.5	1.38	1.67	1.22 (LDC 100) 1.51 (LDC 175) 1.70 (LDC 225)	1.50 (LDC 100) 1.82 (LDC 175) 2.03 (LDC 225)	1.94	25.3	2.83	1.02 (LDC 100) 2.28 (LDC 175)	0.86 (LDC 100) 1.06 (LDC 175)
Loading area Superficie di appoggio Nutzfläche Surface de chargement Superficie de apoyo m2	0.85	1.12	1.40	1.12	1.40	1.16	1.41	1.12	1.12	1.40	1.91	1.12
Net storage capacity Capacità netta Nutzhalt volume utile Capacitat neta dm3	62 (LDC 100) 108 (LDC 175)	84 (LDC 100) 147 (LDC 175)	108 (LDC 100) 189 (LDC 175)	147 (LDC 175)	189 (LDC 175)	84 (LDC 100) 147 (LDC 175) 189 (LDC 225)	108 (LDC 100) 189 (LDC 175) 244 (LDC 225)	120	186	222	144 (LDC 100) 25 (LDC 175)	84 (LDC 100) 147 (LDC 175)
Dimensions Dimensioni Größe Dimensions Dimensiones LxHxP mm	925	1250	1250	1250	1250	1250	1250	1250	1250	1250	1250	1250
	920	920	920	990	990	990	990	1200	1300	1300	920	1270
	925	925	1125	925	1125	925	1125	925	925	1125	1525	925

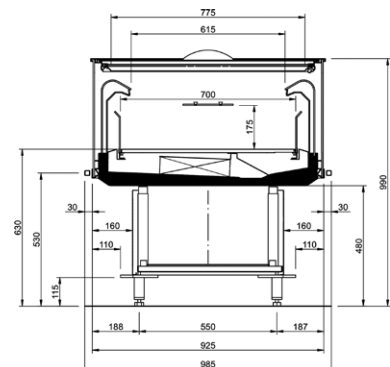
Cross sections



LS - NARROW

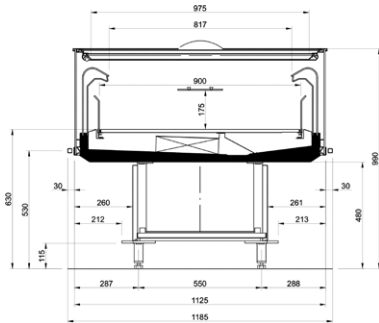


LS - LARGE

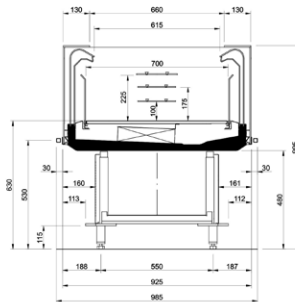


LS CLOSED - NARROW

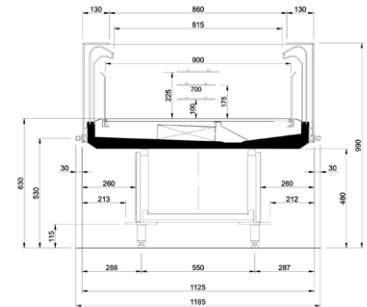
Cross Sections



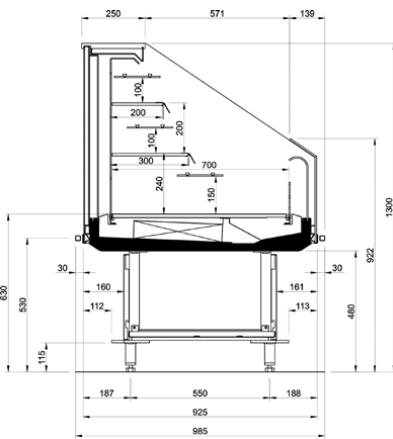
LS CLOSED - LARGE



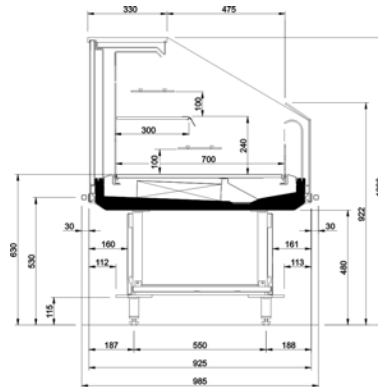
LS MAXI - NARROW



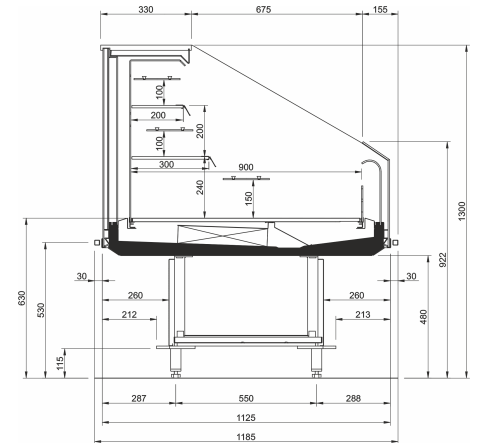
LS MAXI - LARGE



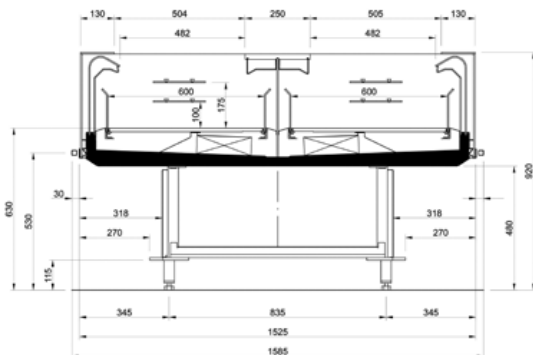
SV - NARROW 2S



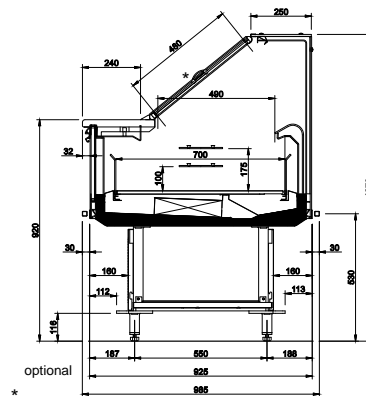
SV - NARROW 1S



SV - LARGE 2S



LS - DOUBLE



SERVE OVER